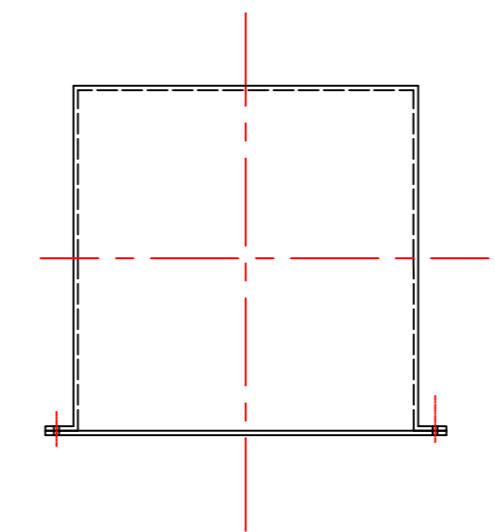


DETAILS OF FLANGE (ITEM NO 9)



SECTION A-A

ALL DIMENTIONS ARE IN MM

SRNO	DESCRIPTION	QTY	MATERIAL
10	SEALING	2	
9	FLANGES	3	
8	BEARING	2	
7	STUFFING BOX & GLAND	1	
6	LEVER	1	
5	PNEUMATIC CYLINDER	1	
4	STOPPER	2	
3	FLAP	1	
2	SHAFT	1	
1	MAIN BODY	1	



CLIENT	M/S AMBUJA CEMENT
CONSULTANT	
PROJECT	SURAT

DRN	-	-
CHKD	-	-
APPD	-	-
SCALE	-	-

TITLE	GENERAL ARRANGEMENT OF DIVERTER (PNEUMATIC)
DRG No.:	-

REVISION	REV.NO.	DATE	DETAILS	APPD. BY
	1	19/04/07	DETAILS OF PNEUMATIC CYLINDER	BGU